

ScrollerZ

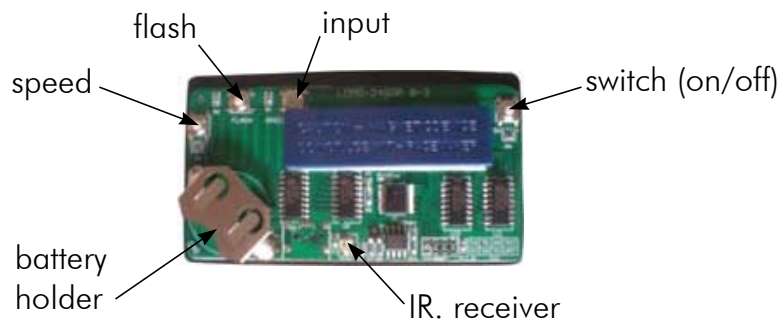


Thank you for purchasing ScrollerZ Sweet 16 Scrolling Message Badge. To help you get the most enjoyment from this product, please read the following instructions carefully

Instructions

The LED Badge: At the rear of the badge are the 4 onboard programming buttons, the I.R. and the battery holder. The badge can be programmed using the onboard buttons or via the I.R. port. The badge can store 4000 ASCII characters as 16 different messages.

Battery Operation: Slide the battery into the battery holder. Replace the battery when the digital display starts to dim or when difficulties are encountered during programming.



Software Programming:

1. Insert the CD into the CD Rom Drive of your computer or download free program software from www.scrollerz.com (follow the DownloadZ link)
2. Plug the serial cable into the serial port of your computer (you may need to check your COM settings to know which Com port the cable should be plugged into.
3. Plug the I.R. programming module into the other end of the serial cable.
4. Run the CD (or downloaded program) and install the software. Your computer is now ready for you to create your messages.
5. Type your message into the message box (maximum 250 characters per message)
6. Choose which message you need to be programmed with the slider bar.
7. Set the speed and flash frequency with the slider bars below the message box.
8. Insert the battery (positive side up) into the battery holder on the back of the badge.
9. Hold the IR. transmitter approximately 2cm from the IR. receiver. Shade the area from excessive light.
10. Press the Download button on the screen. The progress bar will build from left to right. When the download is complete, a message box will appear notifying you.
11. To attach the badge to your clothing, slide the magnet off the back and sandwich your clothing between the magnet and the magnet plate on the back of the badge.
12. To turn off your badge push and hold the switch button for 2.5 seconds.

On-board programming:

Natural display state:

The following menu options are available using the onboard programming buttons:

Switch - Choose the message you wish to display (1-16)

Input - Enter the text editing functions.

Speed - Adjust the scrolling speed of the LED Badge

Flash - Adjust the flash frequency of the LED Badge.

ON/OFF: When the battery is inserted, the LED Badge will turn on and a welcome message will be displayed. To turn the badge off, press the switch button for 2.5 seconds. To turn the badge on, press and release the switch button.

Change the display speed: The badge has 8 display speeds (7 extremely fast - 0 stopped). Press the speed button once to change speed. Repeat as required.

Change the display flash frequency: The badge has 8 different flash frequencies (7 extremely fast - 0 none). Press the flash button once to change. Repeat as required.

Select the message to display: The LED Badge can store up to 16 messages. Press the switch button once to view the next message. Repeat until the message you wish to display is showing.

Edit State:

The following options are available using the onboard programming buttons:

Switch - Multifunctional button.

Input - Enter the text editing functions.

Speed - Edit button.

Flash - Edit button.

Change the message text: Press the Input button once to enter the edit function. The first will show on the right and can be changed by using the Speed and Flash buttons. To select the next character press the input button and select another character with the Speed / Flash buttons. Repeat until the required message is complete. Wait 10 seconds or press the input button for 3 seconds and the message will automatically change. The message being displayed is now your new choice.

Skip A Space: Press the Switch button once.

Delete a character: Press the Switch button for 3 seconds to delete a character.

Shift UPPER / lower case letter: Press the Speed button for 3 seconds.

The magnet can be used to attach the badge to many items & materials

Guarantee

ScrollerZ guarantee this product to be free from manufacturing defects and malfunctions and suitable for the purpose for which it has been sold for a period of 12 months from the purchase date.

The guarantee does not cover damage of any kind arising from mis-use or negligence howsoever caused.

This guarantee is void if any unauthorised service or alterations have been carried out to the product by anyone not authorised to do so and without written consent from ScrollerZ

ScrollerZ provides no other expressed warranties other than those stated herein.

To make a claim under the terms of the guarantee, please first contact ScrollerZ either by telephone, email or letter to ascertain the exact cause of the problem. Proof of purchase will also be required for the claim to be processed.

This guarantee is in addition to your statutory rights.

IMPORTANT NOTE

The magnetic fastener used with this badge is UNSUITABLE for people fitted with a pacemaker or for people who have a medical condition that is affected by magnetic fields.

If you are in any doubt, please consult your doctor or medical practitioner BEFORE wearing the badge.

Contact Information:

ScrollerZ
15 Blackshaw Road
GLOSSOP
Derbyshire
SK13 7SN
England

Tel. (U.K.): 01457 866764
Tel. (Int.): +44 1457 866764

email: info@scrollerz.com
website: www.scrollerz.com